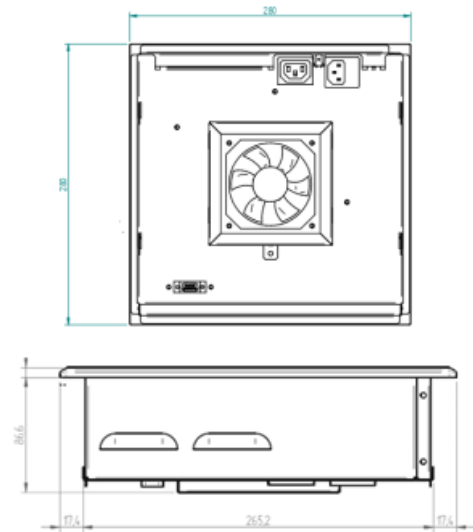


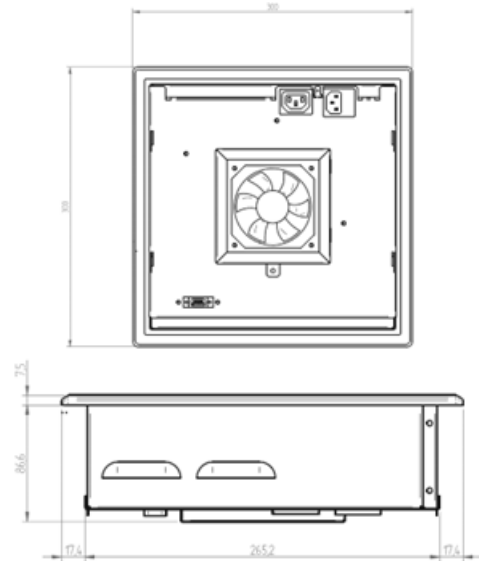


TECHNICAL FEATURES	
External structure	Stainless steel
Dimensions	280 x 280 x 94
Power	1000 W
Cooking surface	Vitrocéramic glass
Control panel	Remote control. Capacitive touches with 3 touches. On / Off, manual temperature setting (+ / -) with 2 digits display.
Amp	10 A
Functions	On/Off, manual power setting (+/-) and timer control with 2 digits display (works for both timer and power). From 200 to 3000W with 12 levels. Interconnections that connect 4 products to each other.
Power supply	120 V for USA only 208/240 V ; AC 35/70 Hz
Weight	5.5 kg / 12.5 lbs
Standards	Complies with European standards for safety of electrical appliances.
Options	No interconnexion on this product. Silicone frame included

Without frame



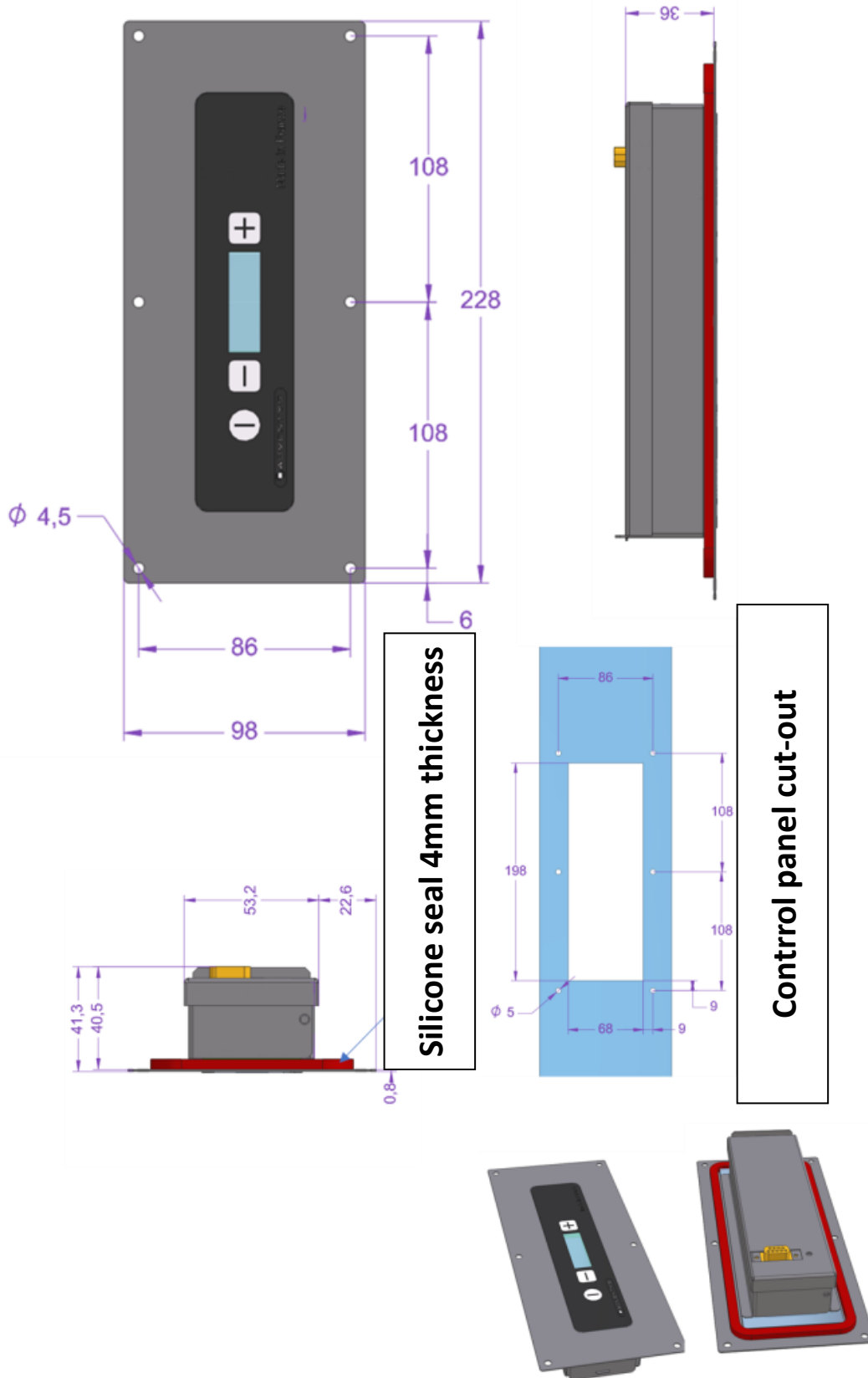
With frame



ADVENTYS
Route de Pagny - 21250 Seurre - France
www.adventys.com
sales@adventys.com
T: +33 3 80 20 46 15

Important note

Adventys reserves the right to modify specifications without notice.



ADVENTYS
Route de Pagny - 21250 Seurre - France
www.adventys.com
sales@adventys.com
T: +33 3 80 20 46 15

Note importante

Adventys se réserve le droit de modifier les caractéristiques sans préavis.